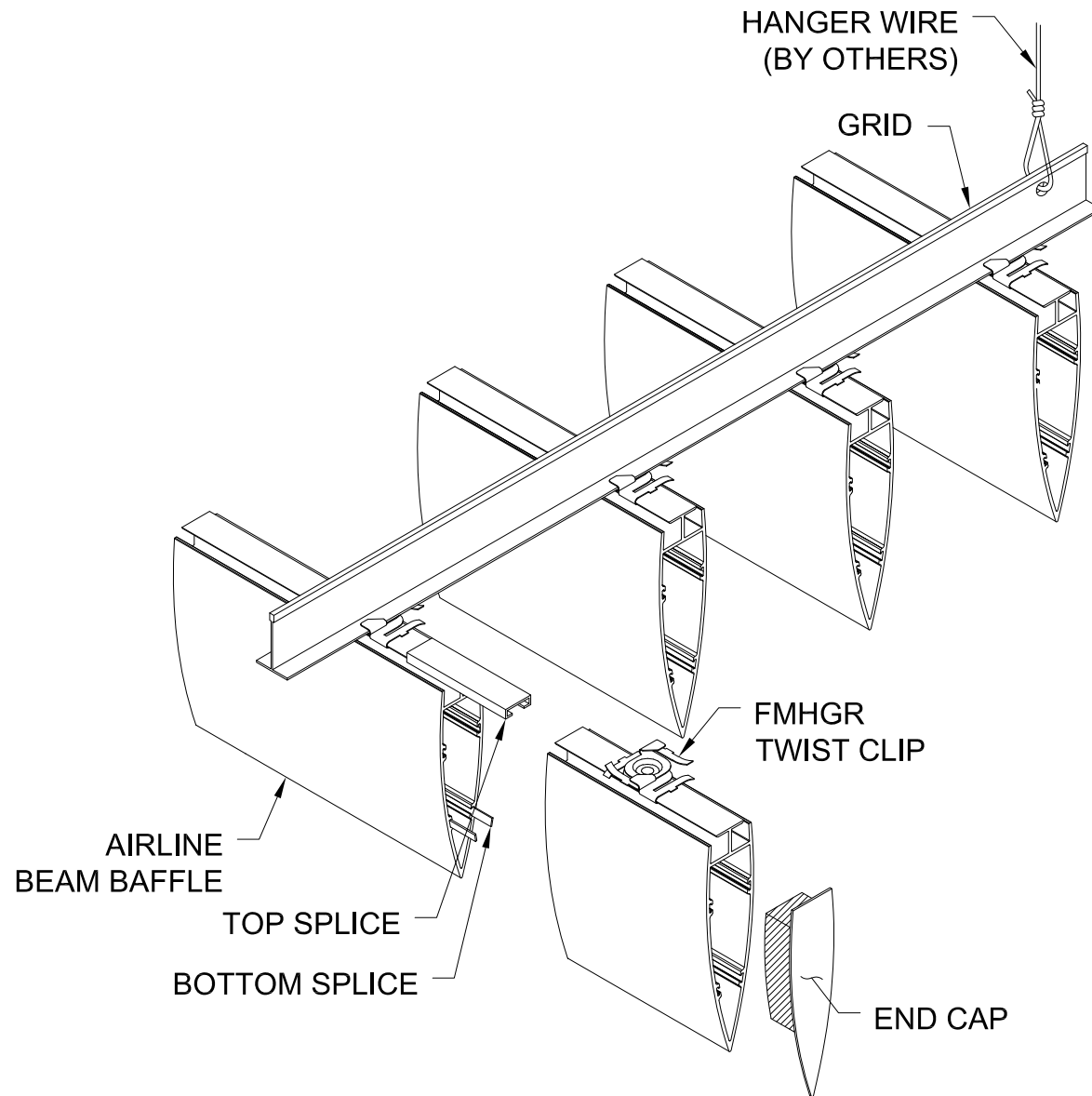


**GORDON**<sup>®</sup>  
ARCHITECTURAL+ENGINEERED SOLUTIONS

5023 Hazel Jones Rd.  
Bossier City, LA 71111  
800.747.8954  
GORDON-INC.COM  
sales@gordon-inc.com

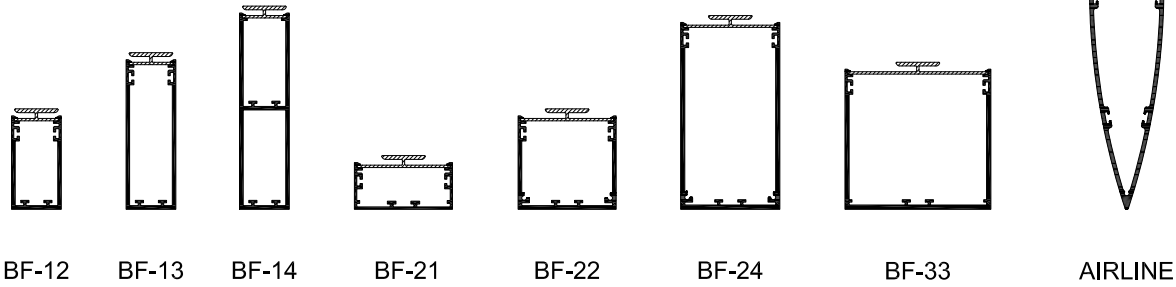
CEILING  
BAFFLES - LINEAR BEAM - EXTRUDED  
ISOMETRIC ASSEMBLY



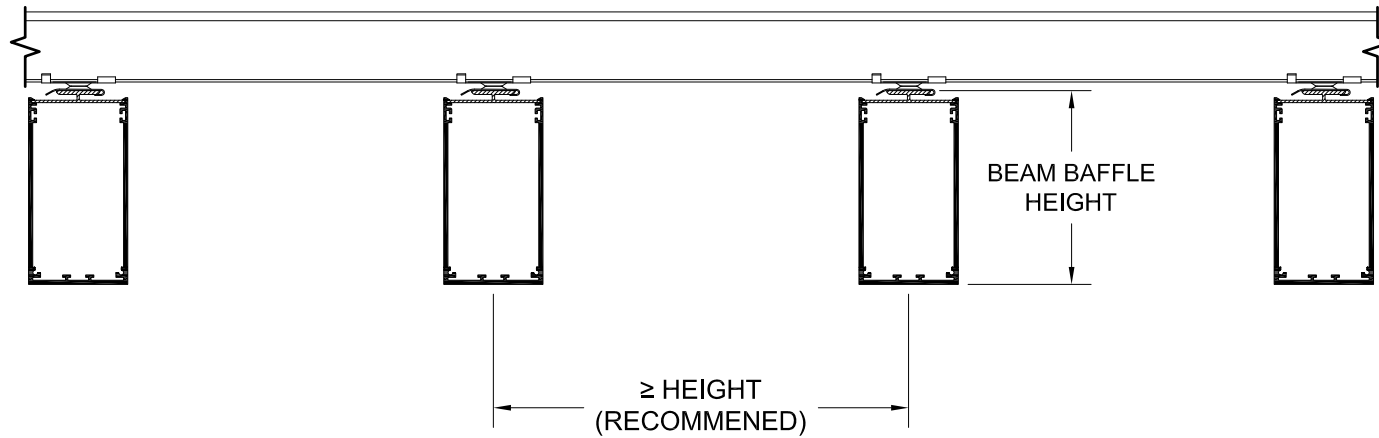
**GORDON**<sup>®</sup>  
ARCHITECTURAL+ENGINEERED SOLUTIONS

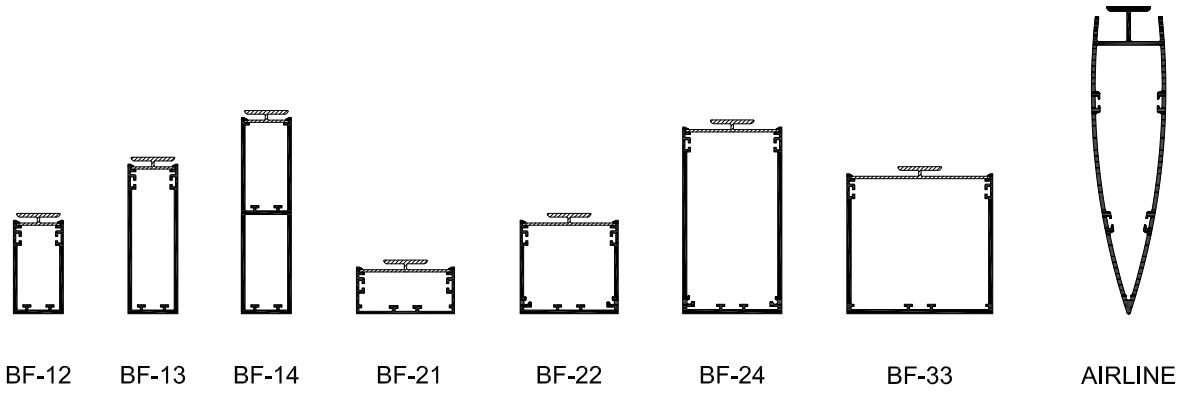
5023 Hazel Jones Rd.  
Bossier City, LA 71111  
800.747.8954  
GORDON-INC.COM  
sales@gordon-inc.com

CEILING  
BAFFLES - LINEAR BEAM - EXTRUDED  
AIRLINE ISOMETRIC ASSEMBLY

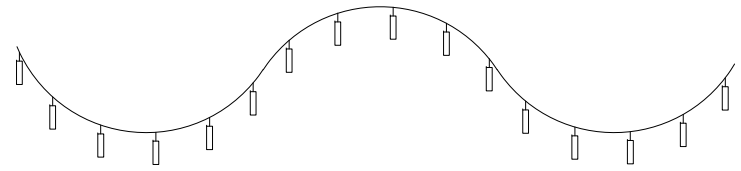
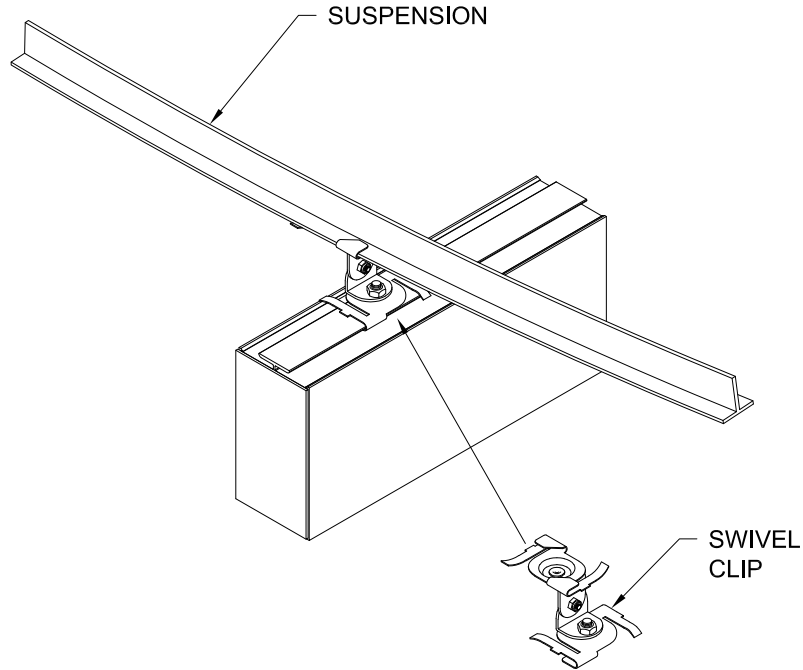


\* REFER TO PROFILES PAGE FOR DETAILS

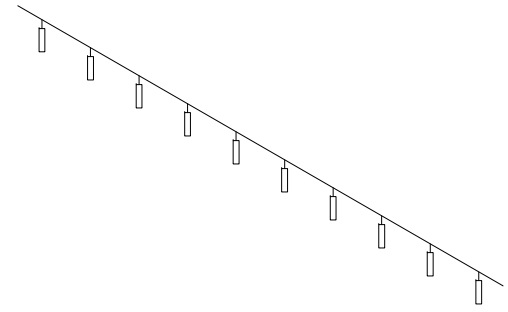




\* REFER TO PROFILES PAGE FOR DETAILS



SERPENTINE CONFIGURATION



RAKE CONFIGURATION

**GORDON**®  
ARCHITECTURAL+ENGINEERED SOLUTIONS

5023 Hazel Jones Rd.  
Bossier City, LA 71111  
800.747.8954  
GORDON-INC.COM  
sales@gordon-inc.com

**CEILING**  
**BAFFLES - LINEAR BEAM - EXTRUDED**  
**SWIVEL CLIP DETAILS**

